



**STRONG PARTNERS.  
TOUGH TRUCKS.™**



# **COMPACT PALLET TRUCKS**

**PC1.4**

**1400 KG**



## PC1.4

DISTINGUISHING MARK		HYSTER		DISTINGUISHING MARK	
1.1	Manufacturer (abbreviation)	PC1.4	1.1		
1.2	Manufacturer's type designation	Electric (battery)	1.2		
1.3	Drive: electric (battery or mains), diesel, petrol, fuel gas	Pedestrian	1.3		
1.4	Operator type: hand, pedestrian, standing, seated, order-picker	1.4	1.4		
1.5	Rated capacity / Rated load	Q (t)	1.5		
1.6	Load centre distance	c (mm)	1.6		
1.8	Load distance, centre of drive axle to fork	x (mm)	1.8		
1.9	Wheelbase	y (mm)	1.9		

WEIGHT		WEIGHT	
2.1	Service weight	kg	2.1
2.2	Axle loading, laden front/rear	kg	2.2
2.3	Axle loading, unladen front/rear	kg	2.3

TYRES, CHASSIS		TYRES, CHASSIS	
3.1	Tyres: solid rubber, superelastic, pneumatic, polyurethane front/rear	Polyurethane	3.1
3.2	Tyre size, front	195 x 55	3.2
3.3	Tyre size, rear	80 x 69	3.3
3.4	Additional wheels (dimensions)	30 x 45	3.4
3.5	Wheels, number front/rear (x = driven wheels)	1x + 2 / 4	3.5
3.6	Tread, front	b <sub>10</sub> (mm)	3.6
3.7	Tread, rear	b <sub>11</sub> (mm)	3.7

DIMENSIONS		DIMENSIONS	
4.4	Lift	h <sub>3</sub> (mm)	4.4
4.9	Height of tiller arm in driving position min./max.	h <sub>14</sub> (mm)	4.9
4.15	Height, lowered	h <sub>13</sub> (mm)	4.15
4.19	Overall length (pedestrian)	l <sub>1</sub> (mm)	4.19
4.20	Length to face of forks (pedestrian)	l <sub>2</sub> (mm)	4.20
4.21	Overall width	b <sub>1</sub> / b <sub>2</sub> (mm)	4.21
4.22	Fork dimensions DIN ISO 2331	s / e / l (mm)	4.22
4.25	Outside Fork Width	b <sub>5</sub> (mm)	4.25
4.32	Ground clearance, centre of wheelbase	m <sub>2</sub> (mm)	4.32
4.33	Load dimension b 12 x l 6 crossways	b <sub>12</sub> x l <sub>6</sub> (mm)	4.33
4.34.1	Aisle width for pallets 1000mm x 1200mm crossways (pedestrian)	Ast (mm)	4.34.1
4.34.2	Aisle width for pallets 800mm x 1200mm lengthwise (pedestrian)	Ast (mm)	4.34.2
4.35	Turning radius (pedestrian)	Wa (mm)	4.35

PERFORMANCE DATA		PERFORMANCE DATA	
5.1	Travel speed, laden/unladen	km/h	5.1
5.1.1	Travel speed, laden/unladen, backwards	km/h	5.1.1
5.2	Lift speed, laden/unladen	m/s	5.2
5.3	Lowering speed, laden/unladen	m/s	5.3
5.8	Max. gradeability, laden/unladen	%	5.8
5.10	Service brake	Electric	5.10

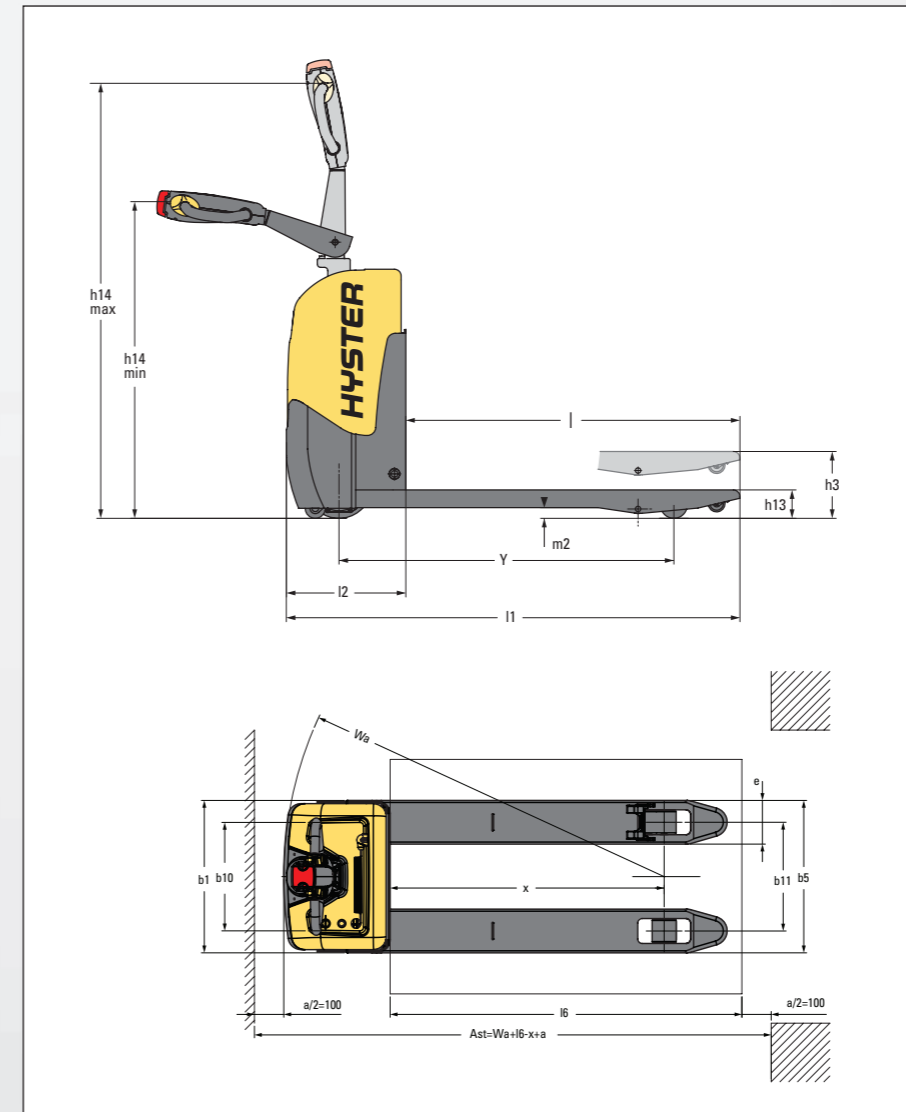
ELECTRIC - ENGINE		ELECTRIC - ENGINE	
6.1	Drive motor S2 60 minute rating	kW	6.1
6.2	Lift motor, S3 15% rating	kW	6.2
6.3	Battery according to DIN 43531/35/36 A,B,C, no	no	6.3
6.4	Battery voltage/nominal capacity K5	(V)/(Ah)	6.4
6.5	Battery weight	kg	6.5
6.6	Energy consumption according to VDI cycle	kWh/h at number of cycles	6.6

DRIVE/LIFT MECHANISM		DRIVE/LIFT MECHANISM	
8.1	Type of drive unit	MOSFET	8.1

ADDITIONAL DATA		ADDITIONAL DATA	
10.7	Sound pressure level at the driver's seat	dB (A)	10.7

Specification data is based on VDI 2198

## TRUCK DIMENSIONS



## PRODUCT FEATURES

### DEPENDABILITY

- MOSFET DC Combi controller for traction and hydraulic controls.
- Hour meter and battery discharge indicator.
- Welded fork construction makes them highly resistant to torsion and heavy loads.
- In case of collision components and batteries are protected with special designed cover.

### PRODUCTIVITY

- Reinforced compact chassis design to improve accessibility.
- Operator-friendly tiller head controls for productive load handling.
- Standard anti-roll back system.

- Stabilizing wheels to maximize stability when turning.
- Double load wheels and exit/entry roller to optimize pallet handling.

### ERGONOMICS

- Ergonomically tiller head designed for maximum operator comfort.
- Low effort controls ergonomically placed to reduce operator fatigue.
- Adjustable performance setting to suit specific operation conditions.
- Responsive butterfly switches control travel direction, speed and braking allow a smooth start, controlled braking and acceleration.
- Creep-speed function for manoeuvring in dense areas

**NOTE:** Specifications are affected by the condition of the vehicle and how it is equipped, as well as the nature and condition of the operating area. If these specifications are critical, the proposed application should be discussed with your dealer.

**NOTICE**  
Care must be exercised when handling elevated loads. When the carriage and/or load is elevated, truck stability is reduced. It is important that mast tilt in either direction be kept to a minimum when loads are elevated. Operators must be trained and adhere to the instructions contained in the Operating Manual.

Hyster products are subject to change without notice. Lift trucks illustrated may feature optional equipment.

**CE Safety:**  
This truck conforms to the current EU requirements.

### COST OF OWNERSHIP

- On board charger for on-site recharge.
- Optimized battery packs to ensure maximum time of operation.
- Easy access to motor and key components to reduce downtime.

### SERVICEABILITY

- Quick accessibility for exchange of batteries.
- Maintenance free sealed batteries.

# STRONG PARTNERS. TOUGH TRUCKS.™

## FOR DEMANDING OPERATIONS, EVERYWHERE.

Hyster supplies a complete range of warehouse equipment, IC and electric counterbalanced trucks, container handlers and reach stackers. Hyster is committed to being much more than a lift truck supplier.

Our aim is to offer a complete partnership capable of responding to the full spectrum of material handling issues: Whether you need professional consultancy on your fleet management, fully qualified service support, or reliable parts supply, you can depend on Hyster.

Our network of highly trained dealers provides expert, responsive local support. They can offer cost-effective finance packages and introduce effectively managed maintenance programmes to ensure that you get the best possible value. Our business is dealing with your material handling needs so you can focus on the success of your business today and in the future.



### HYSTER EUROPE

Centennial House, Frimley Business Park, Frimley, Surrey, GU16 7SG, England.

Tel: +44 (0) 1276 538500



[www.hyster.eu](http://www.hyster.eu)



[infoeurope@hyster.com](mailto:infoeurope@hyster.com)



[/HysterEurope](https://www.facebook.com/HysterEurope)




[@HysterEurope](https://twitter.com/HysterEurope)




[/HysterEurope](https://www.youtube.com/HysterEurope)



HYSTER-YALE UK LIMITED trading as Hyster Europe. Registered Address: Centennial House, Building 4.5, Frimley Business Park, Frimley, Surrey, GU16 7SG, United Kingdom. Registered in England and Wales. Company Registration Number: 02636775.

HYSTER,  and FORTENS are registered trademarks in the European Union and certain other jurisdictions.

MONOTROL® is a registered trademark, and DURAMATCH and  are trademarks in the United States and in certain other jurisdictions.

Hyster products are subject to change without notice. Lift trucks illustrated may feature optional equipment.